

## DAY BED

Model #2725

59  $\frac{1}{4}$ "W x 30  $\frac{7}{8}$ "D x 47  $\frac{1}{2}$ "H

**⚠ WARNING:** Read all instructions before assembly this day bed.

**KEEP INSTRUCTIONS FOR FUTURE USE !**

## STEP 1

1. Remove allen bolts (E) and (I) to detach the footboard (in red). Use allen wrench (K) to loosen the bolts. See Figure 1

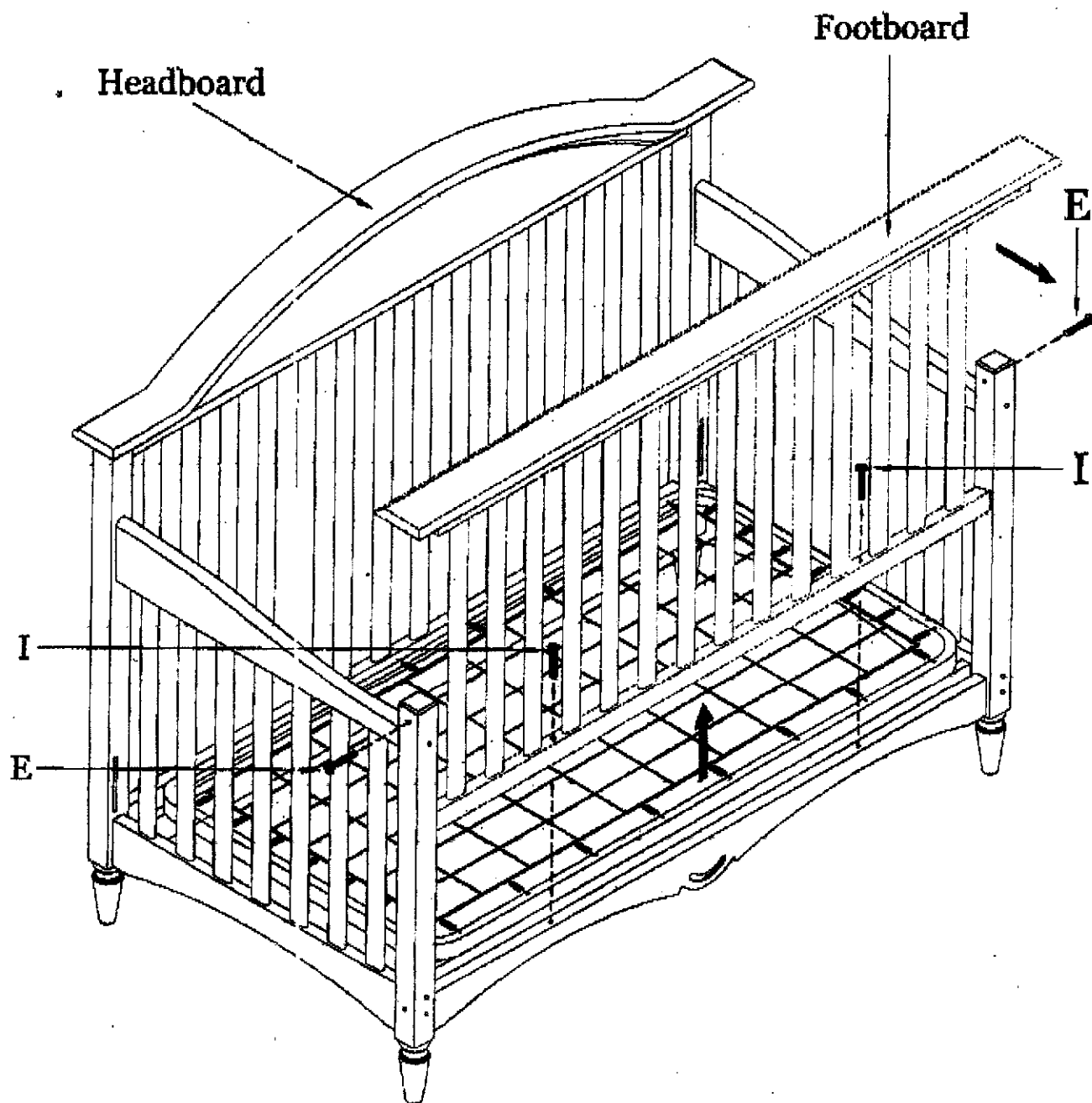
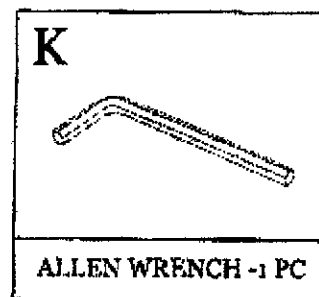
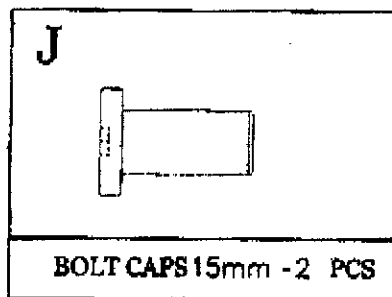
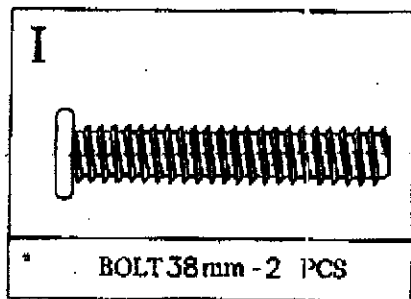


Figure 1

# HARDWARE LIST



# PARTS LIST



## STEP 2

1. If the mattress support (H) is not in the lowest position, unscrew mattress support, phillips screws (A) and wing nuts (B) and move it to the lowest position.
2. Attach the allen bolts (I) to the footboard posts, use bolt caps(J) to cover holes. Use allen wrench (K) to tighten the bolts (I).

See Figure 2

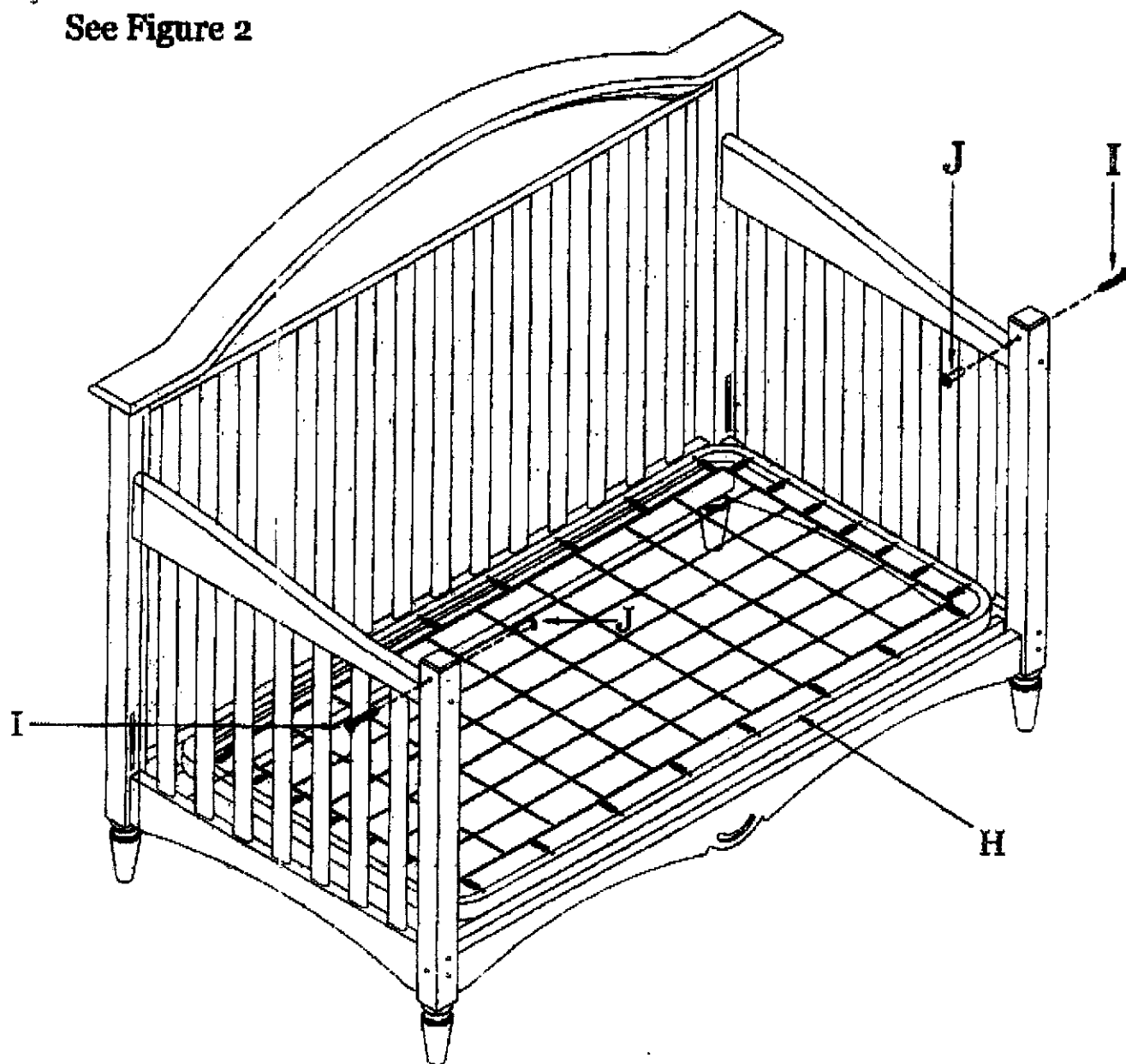


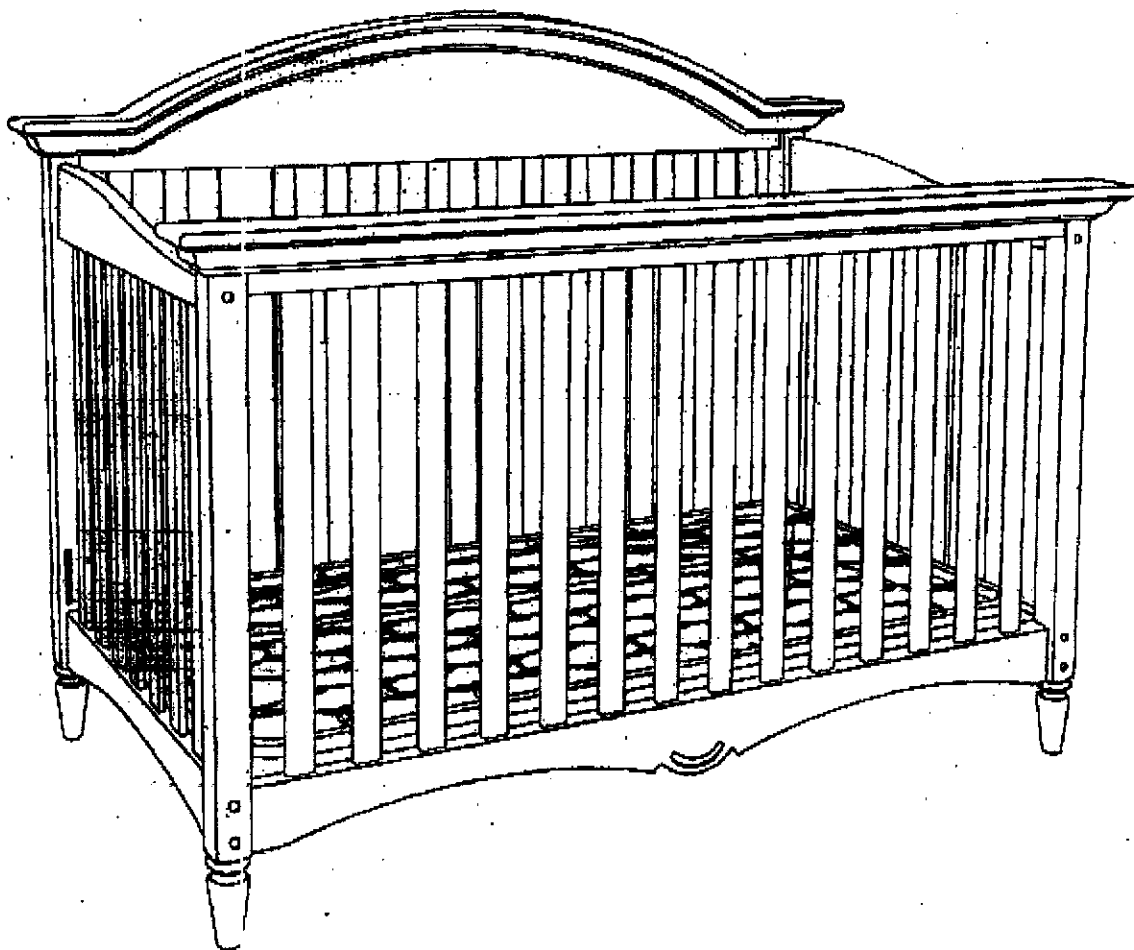
Figure 2

## **FURNITURE CARE AND MAINTENANCE INSTRUCTIONS**

**When cleaning your day bed, please use a non-toxic, non-abrasive cleaner. Mix a solution of water with a small amount of mild dishwashing soap. Apply to day bed surface with a soft, damp, not wet, cloth. After cleaning, dry completely with a soft, dry cloth.**

## **PROPER STORAGE INSTRUCTION**

**If you need to put your furniture in storage for any period of time do not store them in a damp basement or hot attic. Allow air movement around the furniture and do not stack anything on it.**



## BABY CRIB

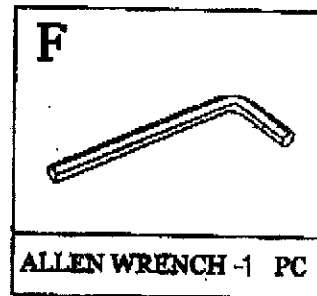
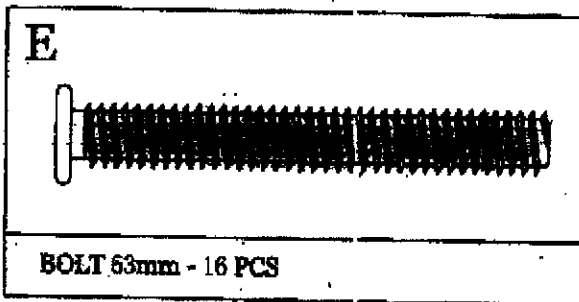
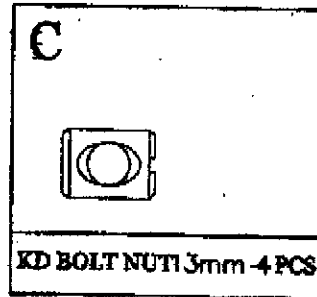
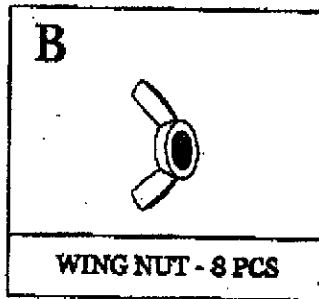
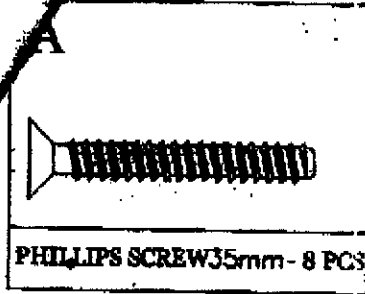
Model #2725

59  $\frac{1}{4}$ "W x 32  $\frac{3}{8}$ "D x 47  $\frac{1}{2}$ "H

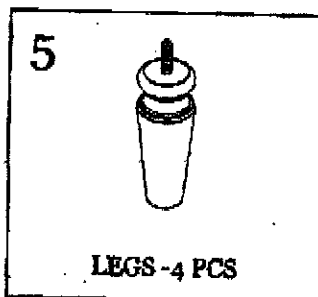
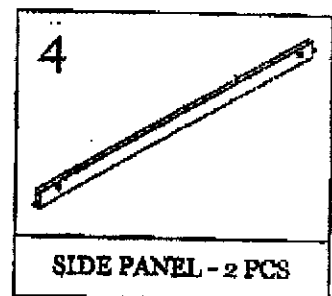
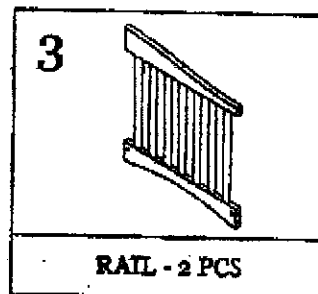
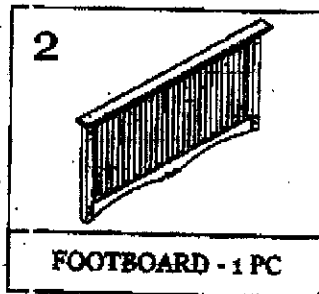
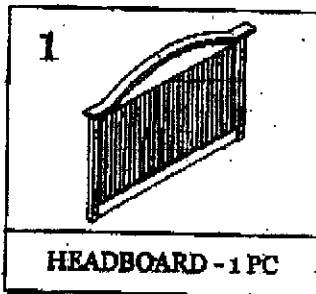
**▲WARNING:** Read all instructions before assembly this crib.

**KEEP INSTRUCTIONS FOR FUTURE USE !**

## TOOLS LIST



## PARTS LIST



## STEP 1

1. Attach mattress support (D) to the side panels (4), use phillips screws (A) and wing nuts (B). See Figure 1

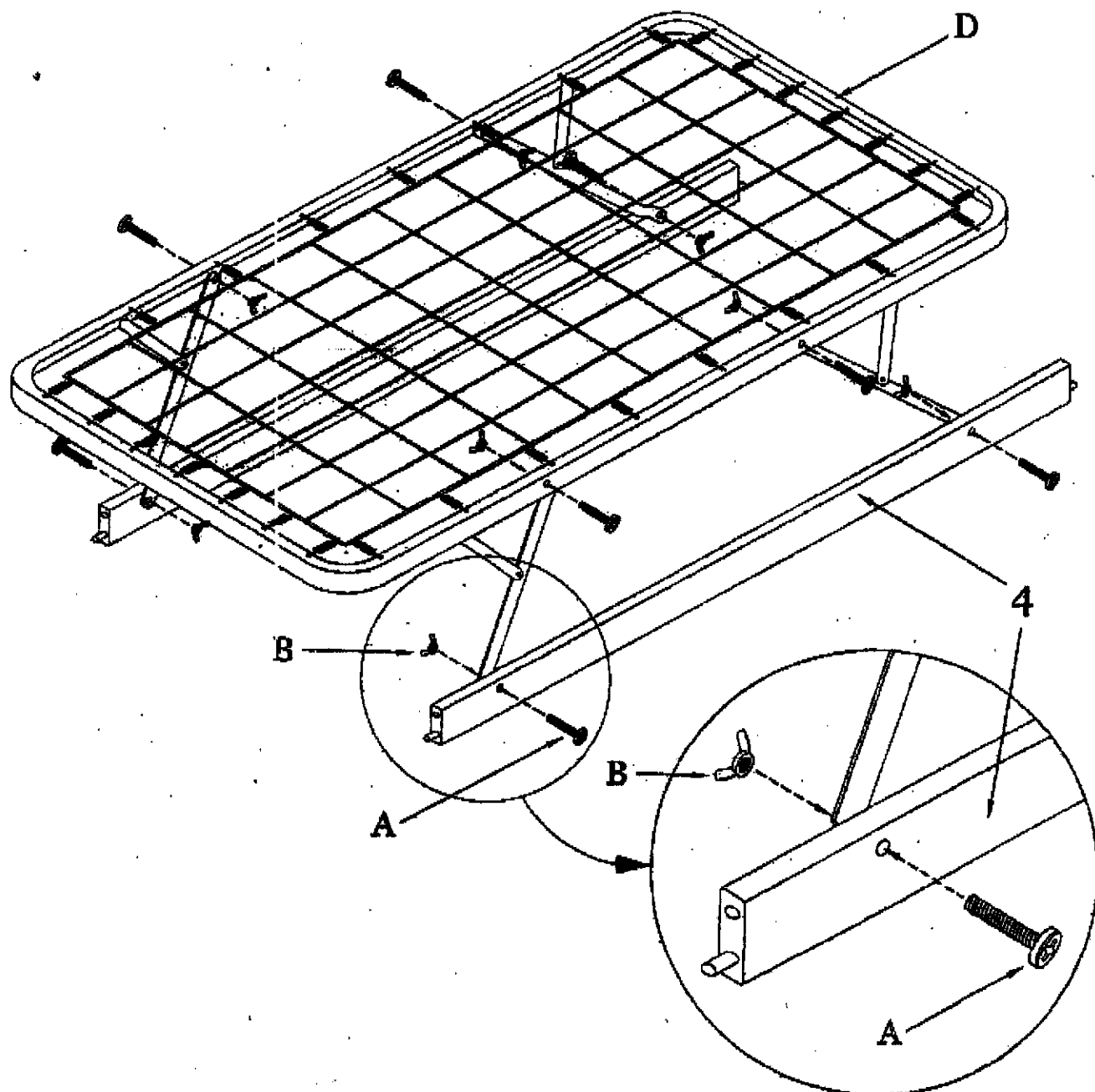


Figure 1



EP 2

Attach the rails (3) using allen bolts (E) with kd bolt nuts (C).  
Use allen wrench (F) to tighten bolts (E).

See Figure 2

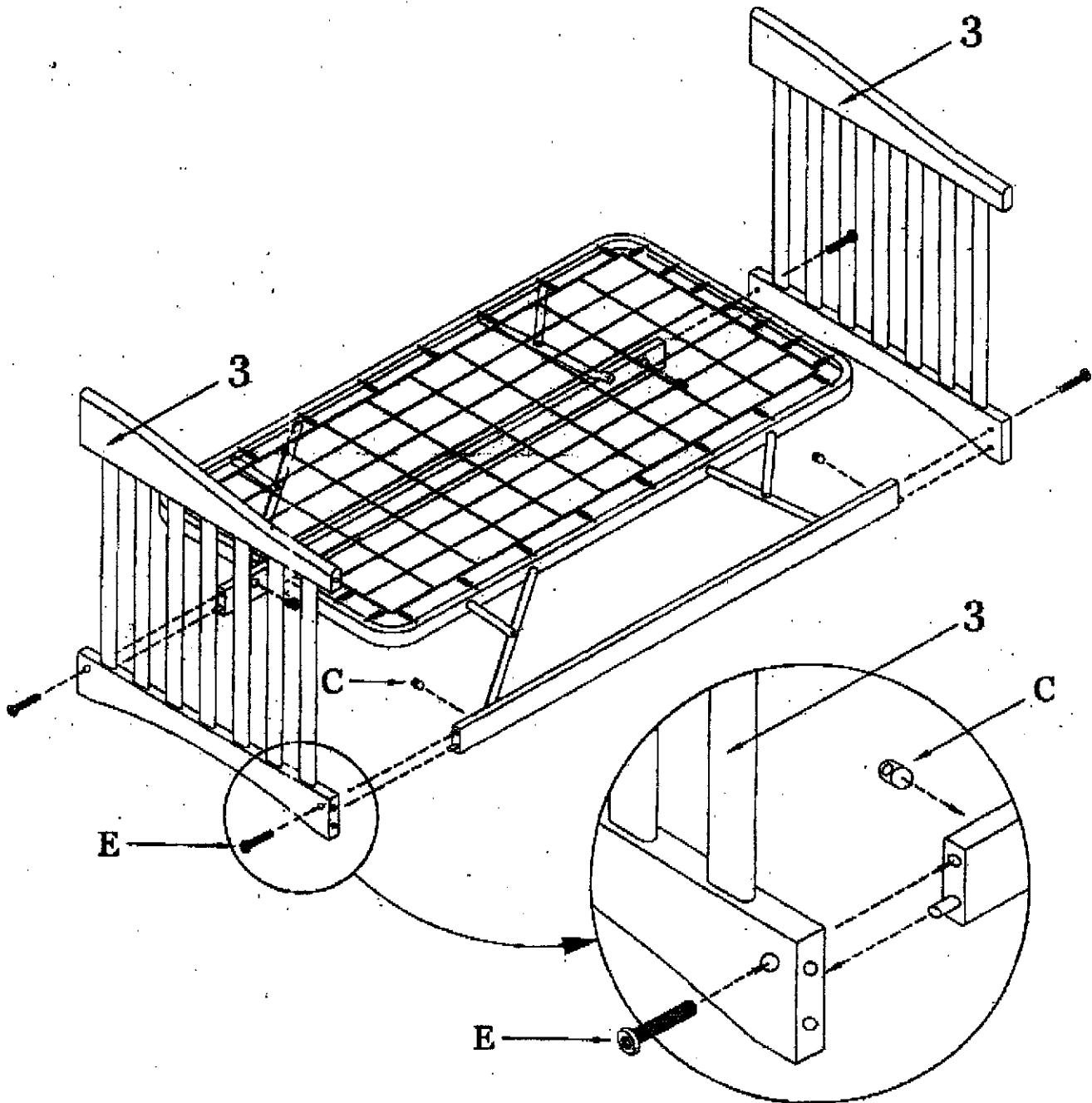


Figure 2

# STEP 3

1. Screw in legs (5) to the headboard (1) and the footboard (2).

See Figure 3

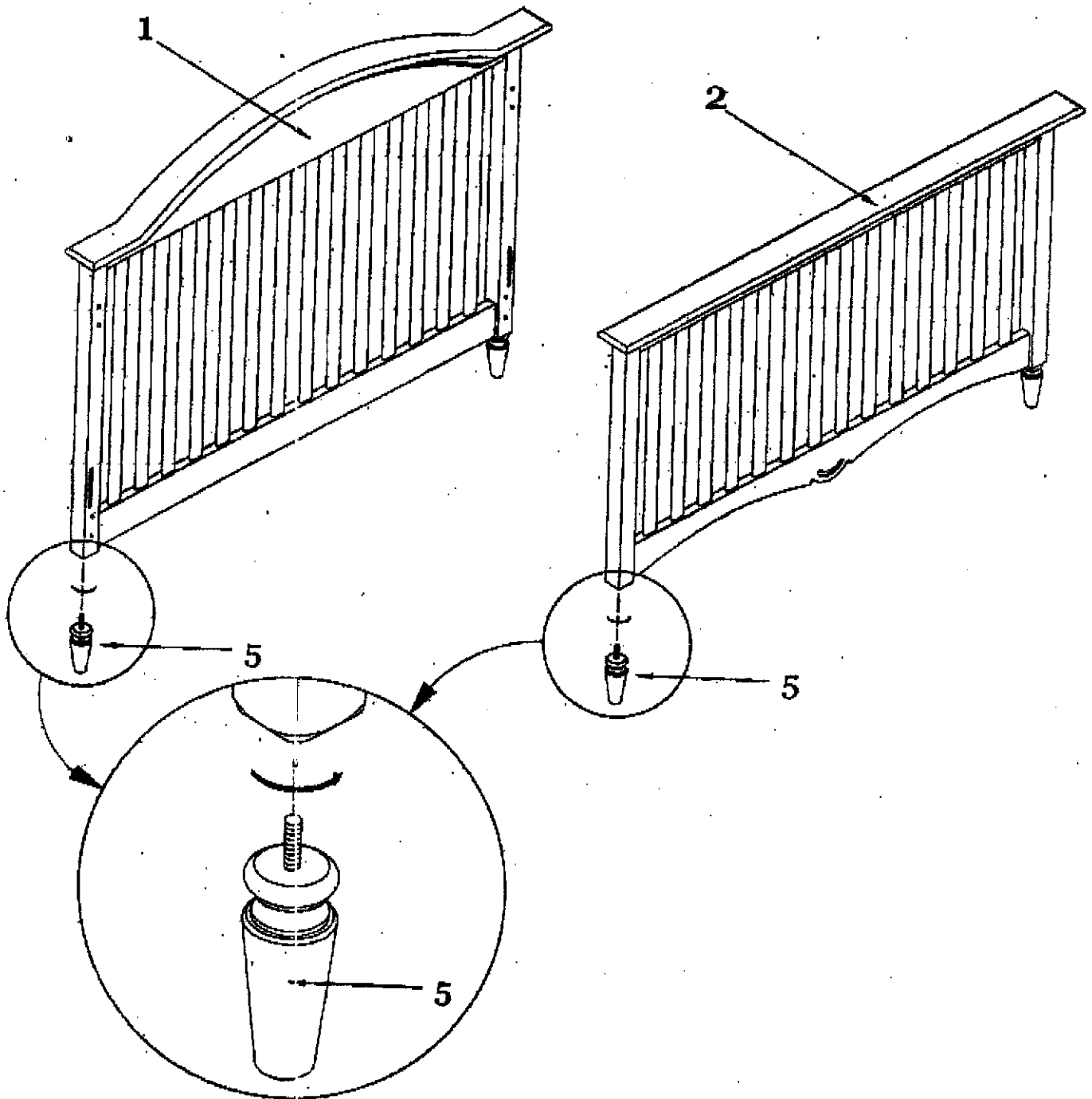


Figure 3

EP 4

Attach the headboard (1) with allen bolt (E). Use allen wrench (F) to tighten the bolts (E). See Figure 4

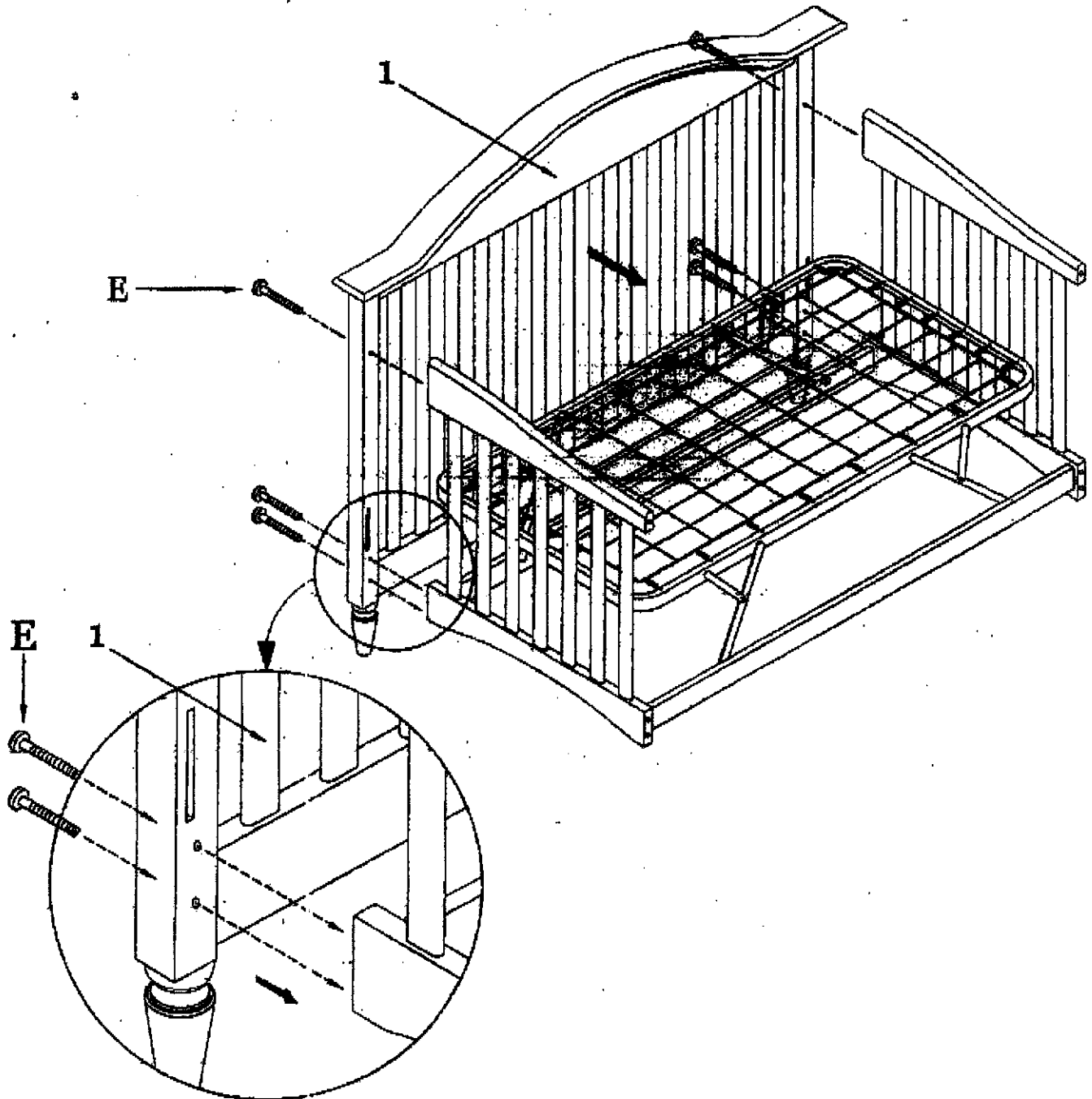


Figure 4

# 2725

Chilango

### STEP 5

1. Attach the footboard (2) with allen bolts (E). Use allen wrench (F) to tighten the bolts (E). See Figure 5

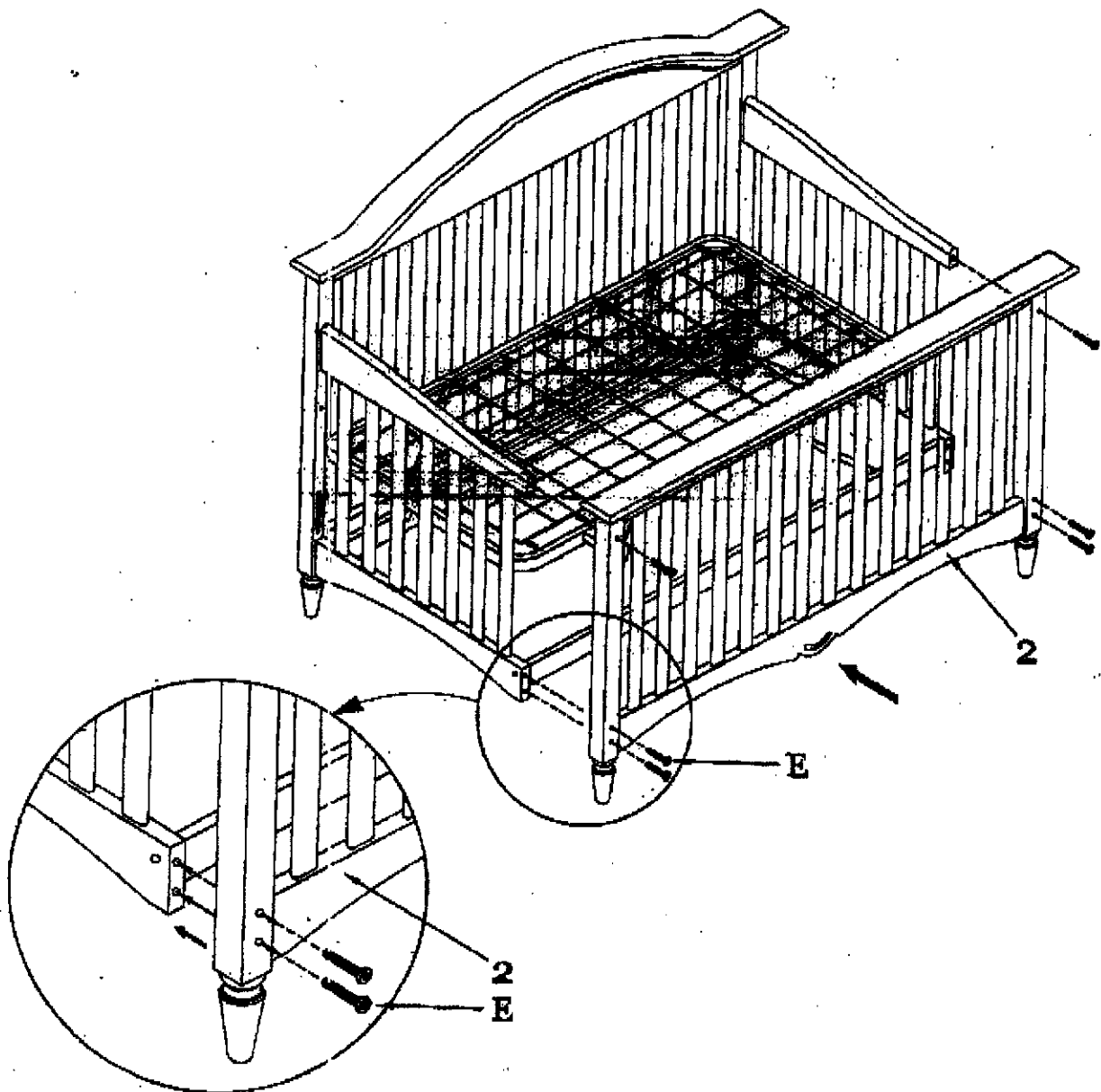


Figure 5